

TOWN OF FARMINGTON

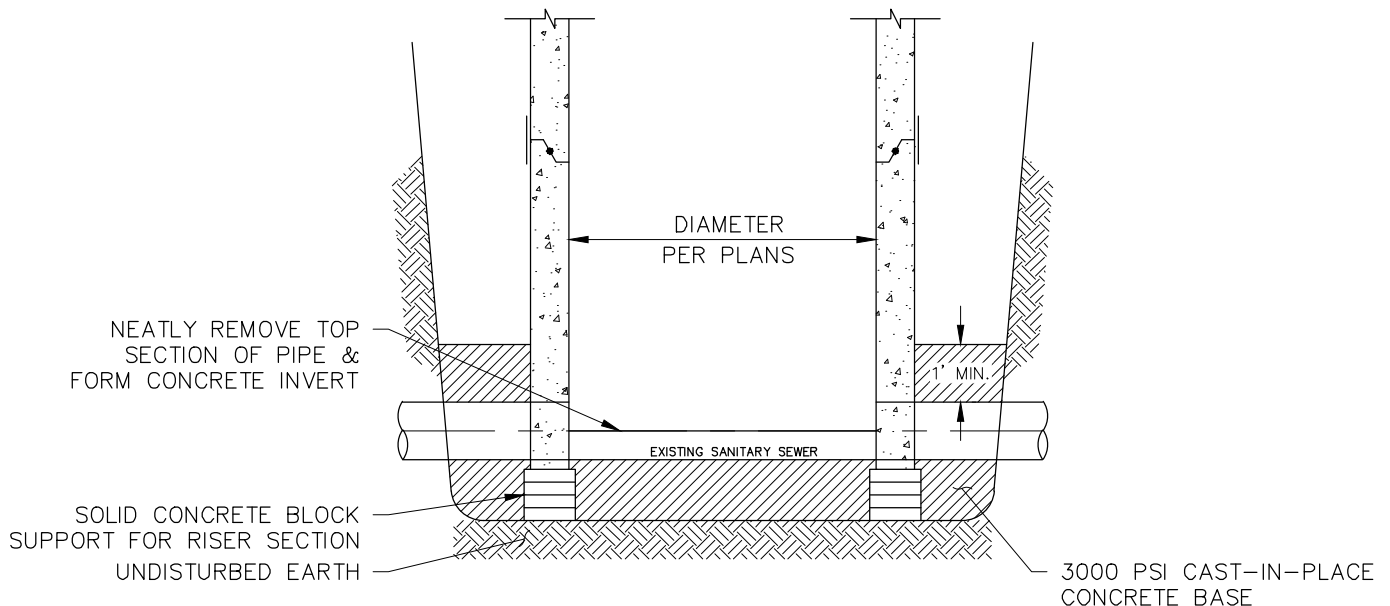
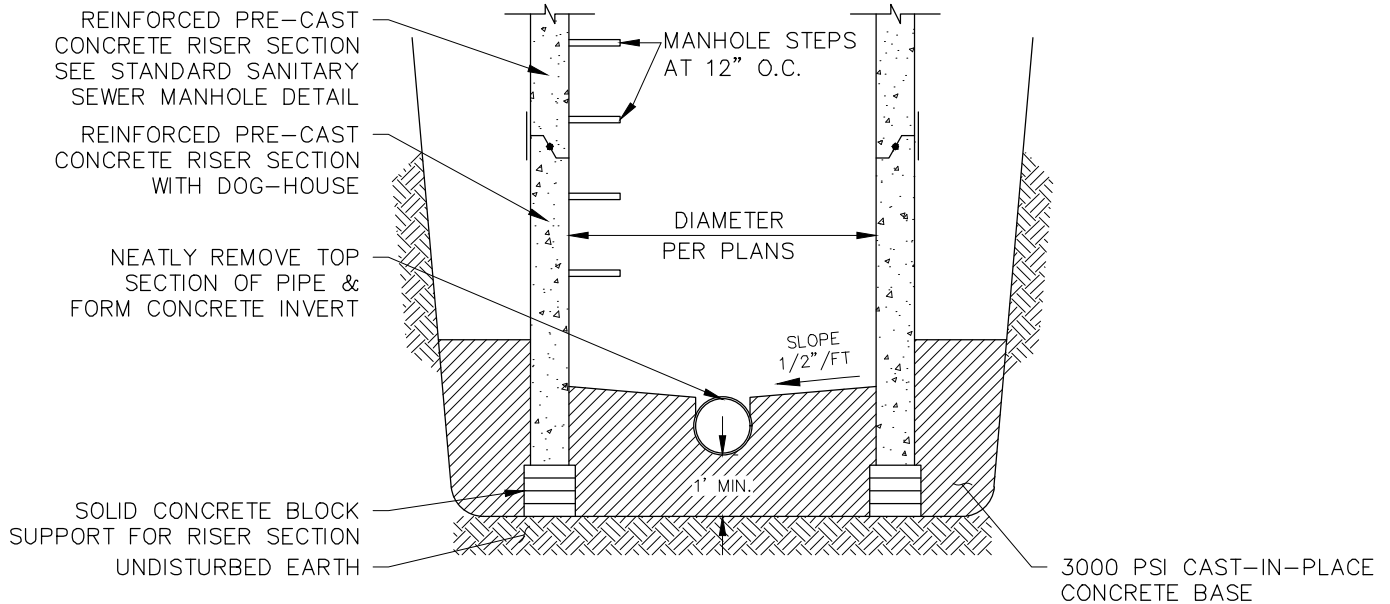
1000 County Road #8
Farmington, NY 14425
(315) 986-8100

APPENDIX: **S - 13.0**

DATE: 2023

SCALE: N.T.S.

MRB | group



NOTES:

- USE FLEXOLITH GEL BY DURAL OR SIKADUR 33 BY SIKA EPOXY MORTAR TO FILL AROUND PIPE. NO SLEEVE REQUIRED.
- TAR SEAL ALL EXPOSED INTERIOR/EXTERIOR MANHOLE SURFACES AFTER PLACEMENT OF CONCRETE, AND EPOXY BENCH WALLS.
- CONTRACTOR WILL BE RESPONSIBLE FOR MAINTENANCE OF SEWER DURING CONSTRUCTION.

DOG-HOUSE SEWER MANHOLE